

## C/3, C/4, C/15, C/16, C/17, C/18, C/19, C/22, C/24

**W.1105** FRONT AXLE FOR C/9, C/24  
CONSISTS OF:—

**02531** Tyre  
**02545** Spacer  
**02773** Hubs  
**02782** Axle

**W.1108** FRONT AXLE FOR C/3, C/4, C/15,  
C/16, C/17, C/18, C/22 CONSISTS OF:—

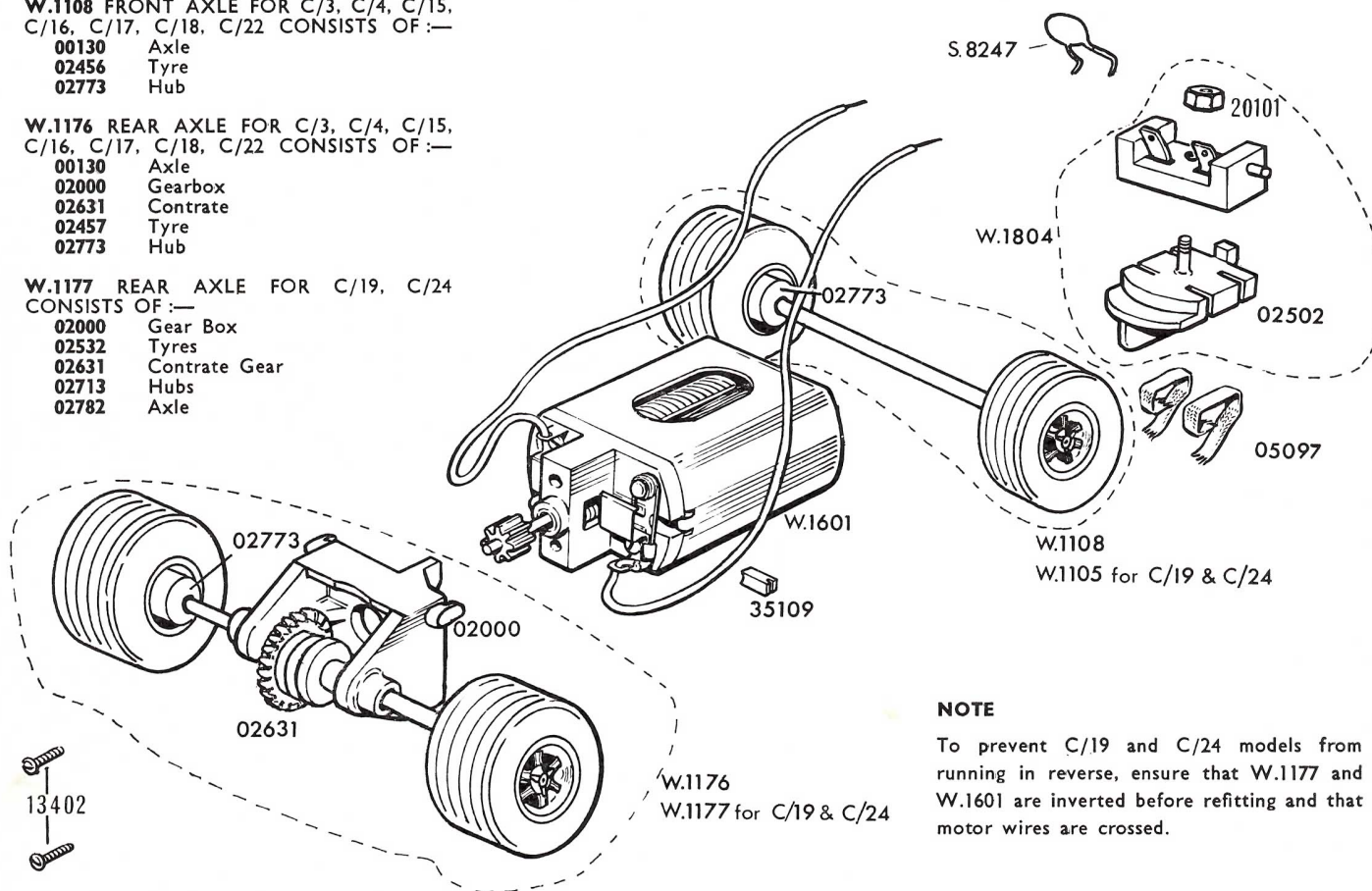
**00130** Axle  
**02456** Tyre  
**02773** Hub

**W.1176** REAR AXLE FOR C/3, C/4, C/15,  
C/16, C/17, C/18, C/22 CONSISTS OF:—

**00130** Axle  
**02000** Gearbox  
**02631** Contrate  
**02457** Tyre  
**02773** Hub

**W.1177** REAR AXLE FOR C/19, C/24  
CONSISTS OF:—

**02000** Gear Box  
**02532** Tyres  
**02631** Contrate Gear  
**02713** Hubs  
**02782** Axle



### NOTE

To prevent C/19 and C/24 models from running in reverse, ensure that W.1177 and W.1601 are inverted before refitting and that motor wires are crossed.

**W.1105** Front Axle Assembly  
**W.1108** Front Axle Assembly  
**W.1176** Rear Axle Assembly  
**W.1177** Rear Axle Assembly  
**W.1601** Motor  
**W.1804** Guide Blade and Platform Assembly  
**S.8247** Capacitor  
**00130** Axle

**02000** Gear Box  
**02456** Tyre  
**02457** Tyre  
**02502** Guide Blade  
**02531** Tyre  
**02532** Tyre  
**02545** Spacer

**02631** Contrate Gear  
**02773** Hub  
**02782** Axle  
**05097** Pick-Up Braids  
**13402** Screw  
**20101** Guide Blade Nut  
**35109** Carbon Brush

*Modifications are made from time to time to Rovex Triang models. If a spare part is required which does not coincide with the illustration, a full description should be given and, if necessary a sketch or sample should accompany the order. The parts which comprise an "X" or "W" assembly are not available as separate items unless the individual parts are numbered.*

Printed in England