

SUPER FORMULA CARS - C.025, C.026, C.048, C.050

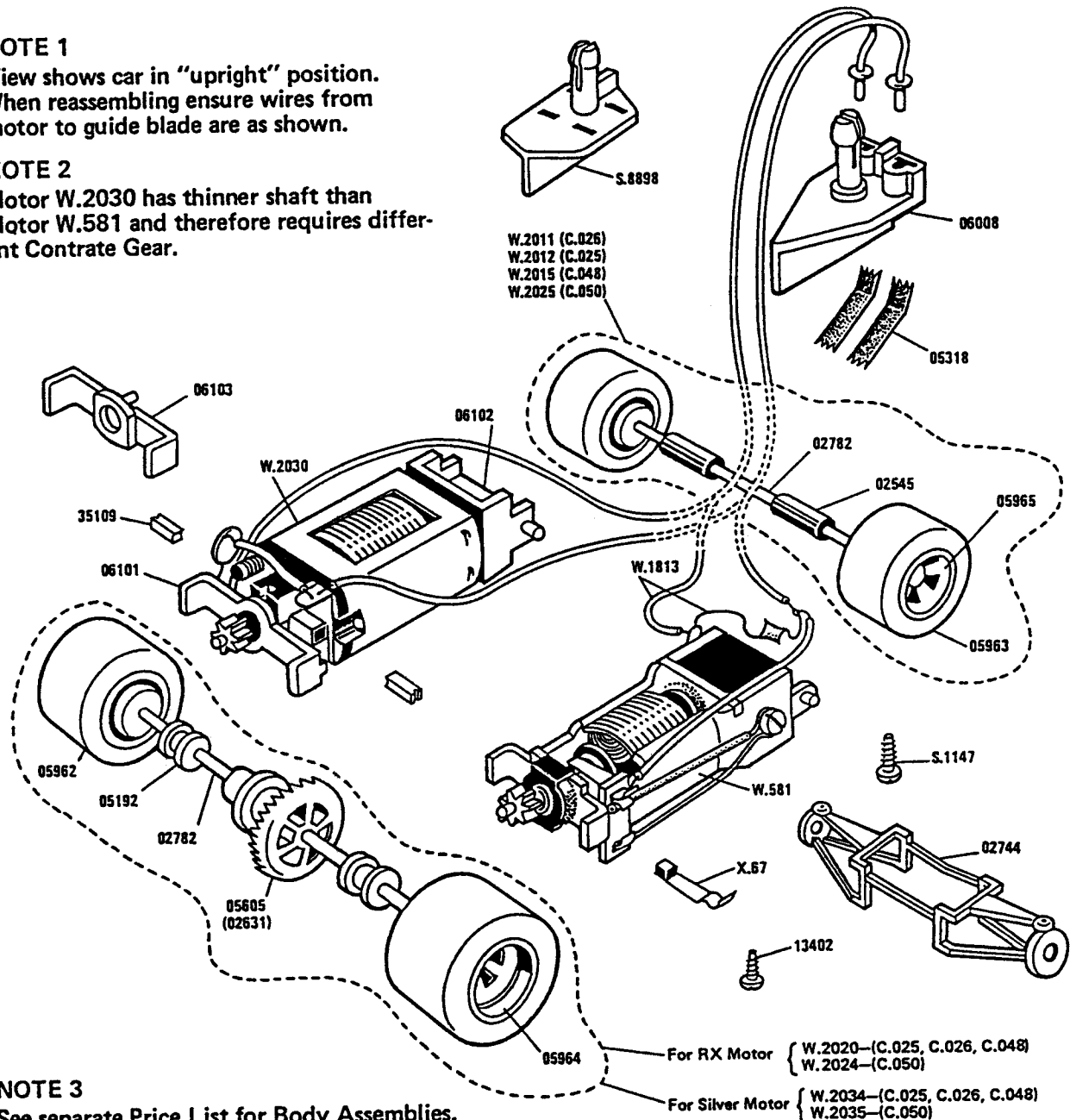
Changed from RX Motor to Silver Motor late 1974

NOTE 1

View shows car in "upright" position. When reassembling ensure wires from motor to guide blade are as shown.

NOTE 2

Motor W.2030 has thinner shaft than Motor W.581 and therefore requires different Contrate Gear.



NOTE 3

See separate Price List for Body Assemblies.

W.581	RX Motor	X.67	Carbon Brush (RX Motor)	05605	Contrate Gear (RX Motor only)
W.1813	Wiring Harness	S.1147	1/4" Body Screw	05962	Rear Tyre
W.2011	Front Axle Assembly	S.8898	Guide Blade (C.048)	05963	Front Tyre
W.2012	Front Axle Assembly			05964	Rear Hub
W.2015	Front Axle Assembly			05965	Front Hub
W.2020	Rear Axle Assembly	02545	Front Axle Spacer	06008	Guide Blade
W.2024	Rear Axle Assembly	02631	Contrate Gear (Silver Motor)	06101	Motor Bracket A (Silver Motor)
W.2025	Front Axle Assembly	02744	Suspension (C.026)	06102	Motor Bracket B (Silver Motor)
W.2030	Silver Motor with Wires	02782	Axle	06103	Motor Bracket C (C.048)
W.2034	Rear Axle Assembly	05192	Axle Bearing	13402	1/4" Body Screw
W.2035	Rear Axle Assembly	05318	Pick-up Braid	35109	Carbon Brush (Silver Motor)

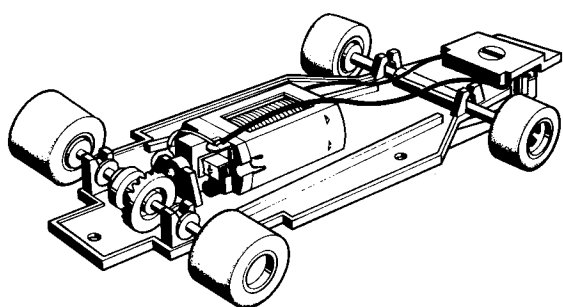
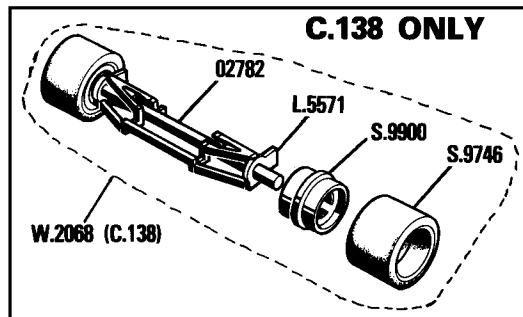
Modifications are made to models from time to time. If a spare part is required which does not coincide with the illustration, a full description should be given and, if necessary, a sketch or sample should accompany the order.

- C.126 Lotus 77**
- C.131 March Ford 711**
- C.134 Elf Renault Turbo RS-01**
- C.135 Elf Tyrrell 008**
- C.136 Ferrari 312 T3**
- C.137 Ligier JS11**
- C.138 Saudia Leyland Williams FW07B**

C.131 parts also suitable for C.129

To release top half of body from underpan remove all screws on underside of body.

Views show car in "upright" position. When reassembling ensure that wires from motor to guide blade are as shown.

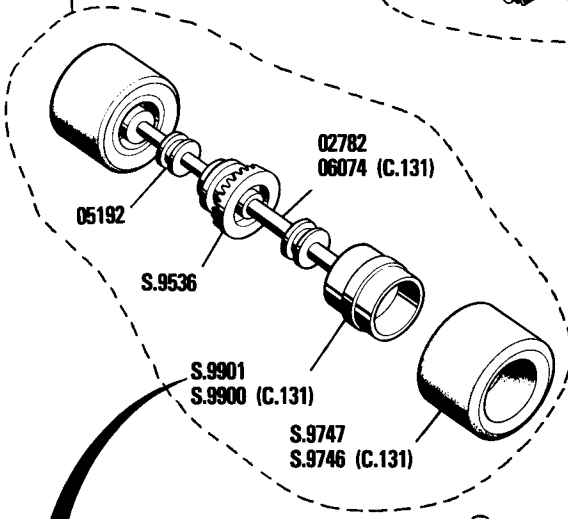
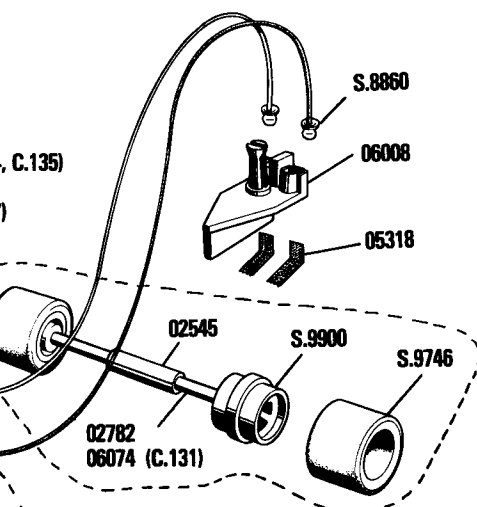


W.2025 (C.126, C.134, C.135)
W.2042 (C.131)
W.2051 (C.136, C.137)

W.2034 (C.126, C.134, C.135)
W.2044 (C.131)
W.2052 (C.136, C.137, C.138)

W.2030

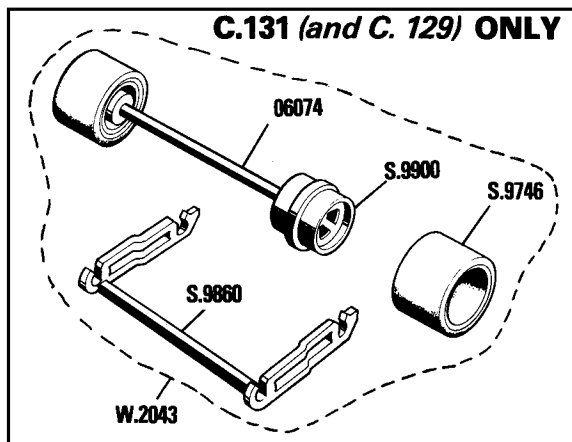
01796



Replacement Hubs, S.9900/1, supplied will be black only.

13402

S.1196



C.126, C.138—when reassembling note that the shorter screw ($\frac{1}{8}$ " S.1196) is to be used in the front position.

Modifications are made to models from time to time. If a spare part is required which does not coincide with the illustration, a full description should be given and, if necessary, a sketch or sample should accompany the order.

List of Parts

- C.126 Lotus 77**
- C.131 March Ford 711**
- C.134 Elf Renault Turbo RS-01**
- C.135 Elf Tyrrell 008**
- C.136 Ferrari 312 T3**
- C.137 Ligier JS11**
- C.138 Saudia Leyland Williams FW07B**

Ref. No.	Item
W.2025	Axle Assembly—Front (C.126, C.134, C.135)
W.2030	Motor/Wire Lead Assembly
W.2034	Axle Assembly—Rear (C.126, C.134, C.135)
W.2042	Axle Assembly—Front (C.131)
W.2043	Axle/Frame Assembly—2nd Rear Axle (C.131)
W.2044	Axle Assembly—1st Rear Axle (C.131) ...
W.2051	Axle Assembly—Front (C.136, C.137)
W.2052	Axle Assembly—Rear (C.136, C.137, C.138)
W.2068	Axle Assembly—Front (C.138)
L.5571	Front Suspension Unit (C.138)
S.1196	Body Screw $\frac{3}{8}$ " (C.126, C.138, front)
S.8860	Eyelet
S.9536	Contrate Gear
S.9746	Tyre—Front (All models)
	—Rear (C.131, both Axles)
S.9747	Tyre—Rear (Except C.131)
S.9860	Frame—2nd Rear Axle (C.129)
S.9900	Hub—Front (All models)
	—Rear (C.131, both Axles)
S.9901	Hub—Rear (Except C.131)
01796	Motor Pinion
02545	Front Axle Spacer
02782	Axle—(Except C.131)
05192	Rear Axle Bearing
05318	Pick-up Braid
06008	Guide Blade
06074	Axle—(C.131)
13402	Body Screw $\frac{1}{4}$ "
35109	Carbon Brush

Notes

Items not illustrated	
Bodies are supplied complete with Drivers Heads, Tail Vanes, Air Intakes, etc. W.1126 and W.1131 also include Body Screws.	
05967	Drivers Head (All models)
For C.126 Lotus 77	
W.1126	Body Assembly Complete
S.9715	Tail Vane
For C.131 March Ford 771	
W.1131	Body Assembly Complete
S.9874	Tail Vane
S.9875	Air Intake
For C.134 Renault RS-01	
W.1134	Body Assembly (excluding screws. Four 13402 required)
L.5176	Tail Vane
For C.135 Elf Tyrrell 008	
W.1135	Body Assembly (excluding screws. Four 13402 required)
L.5181	Tail Vane
For C.136 Ferrari 312 T3	
W.1136	Body Assembly (excluding screws. Four 13402 required)
L.5185	Tail Vane
For C.137 Ligier JS11	
W.1137	Body Assembly (excluding screws. Four 13402 required)
L.5459	Underpan
L.5461	Tail Vane
For C.138 Saudia Leyland	
W.1138	Body Assembly (excluding screws. One S.1196 and four 13402 required)
L.5569	Underpan
L.5572	Tail Vane
L.5573	Tail Vane Support