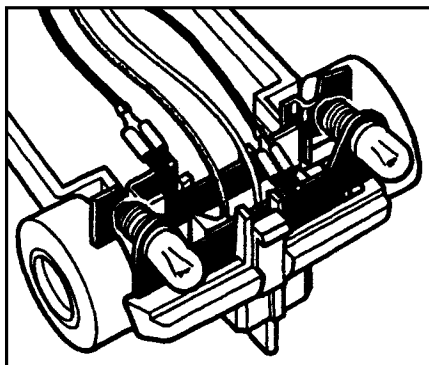


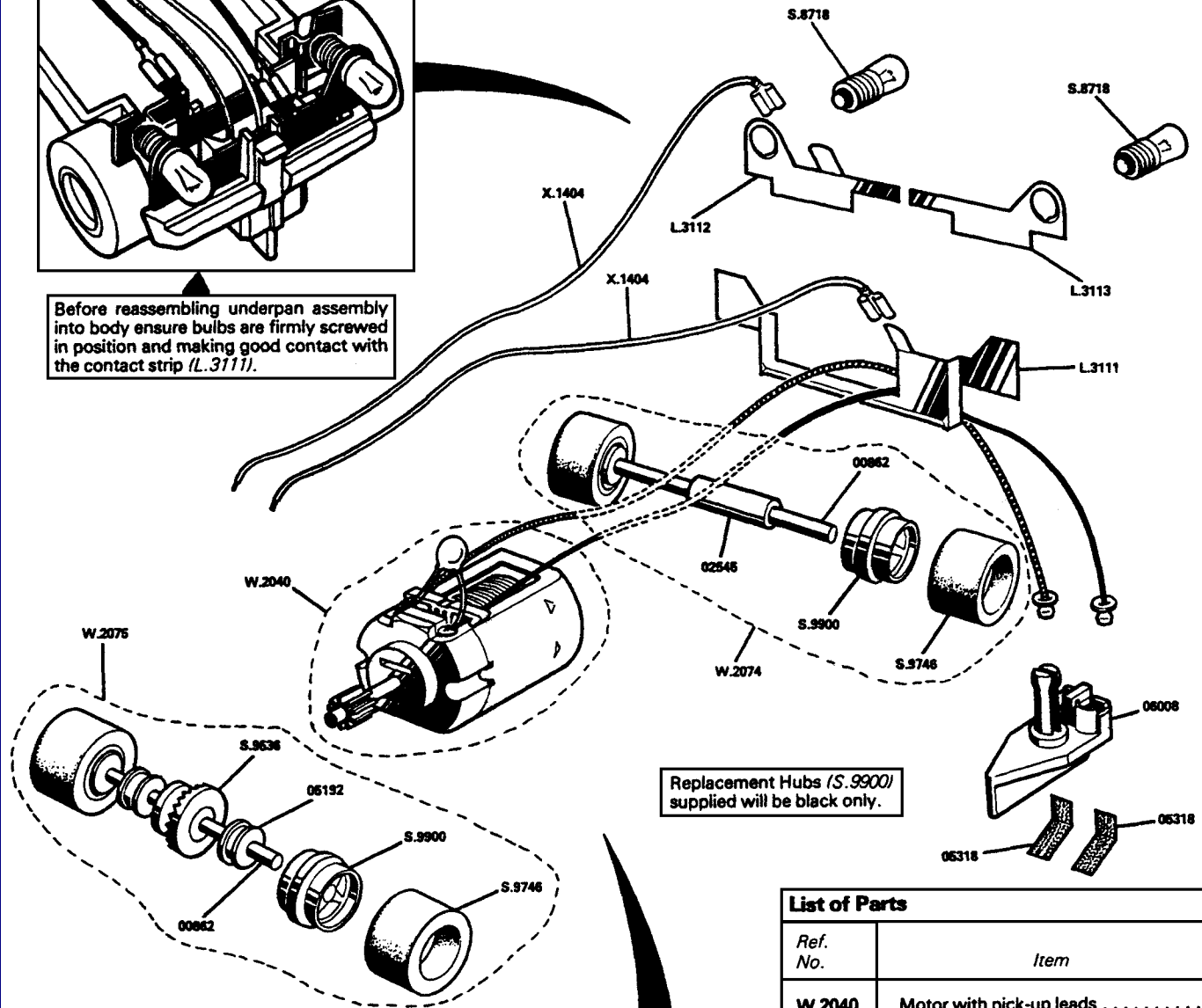
# C.287 FORD ESCORT

Most parts also applicable to C.118

View shows car in "upright" position. When reassembling ensure contrate gear (S.9536) is on the correct side and that wires from motor to guide blade are not crossed.



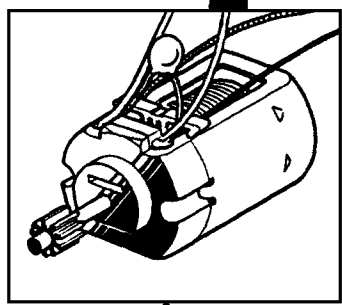
Before reassembling underpan assembly into body ensure bulbs are firmly screwed in position and making good contact with the contact strip (L.3111).



Replacement Hubs (S.9900) supplied will be black only.

To remove body from underpan insert small screwdriver blade at rear end between underpan and body to release number plate and lever body off.

When reassembling underpan assembly into body insert front end first then use screwdriver blade to ease rear of body over number plate.



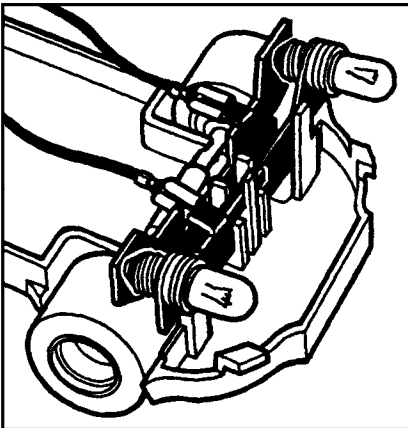
View showing light bulb leads (X.1404) soldered in position on motor.

Modifications are made to models from time to time. If a spare part is required which does not coincide with the illustration, a full description should be given and, if necessary, a sketch or sample should accompany the order.

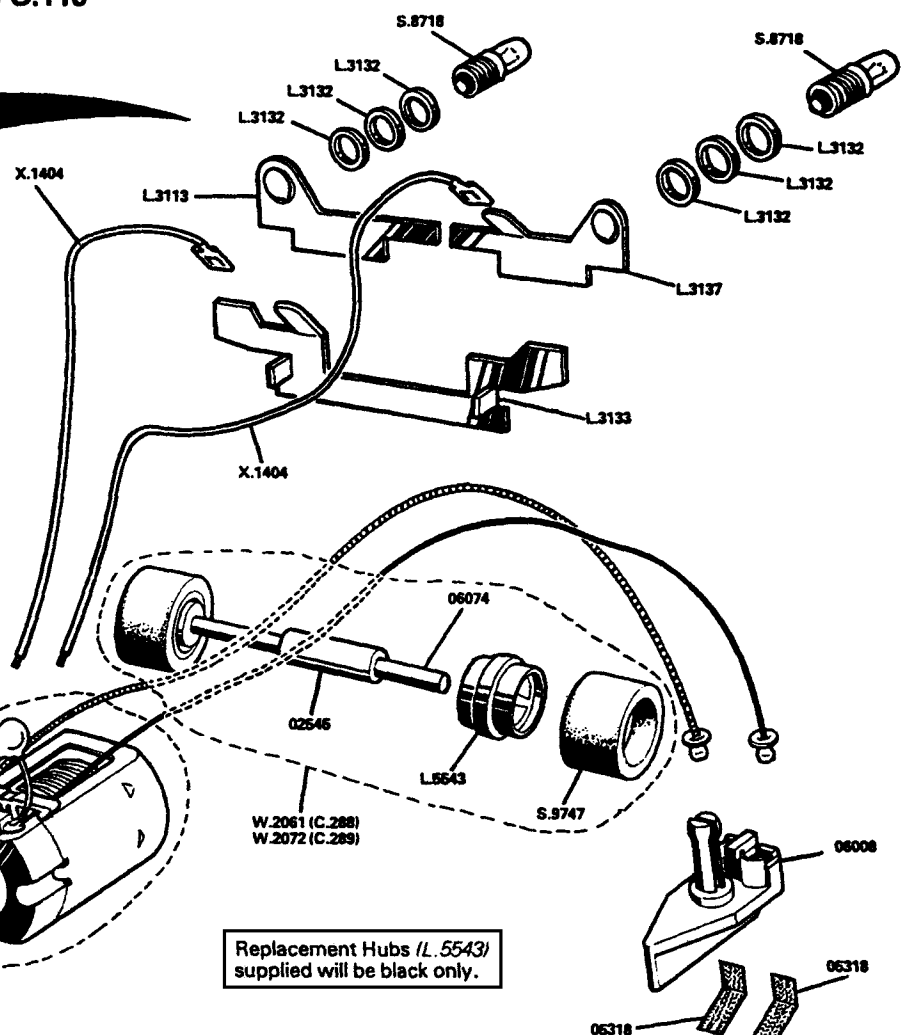
List of Parts	
Ref. No.	Item
W.2040	Motor with pick-up leads
W.2074	Axle Assembly—Front
W.2075	Axle Assembly—Rear
X.1404	Wire Assembly—Headlight
L.3111	Bulb Contact Strip
L.3112	Bulb Holder—with spade tag
L.3113	Bulb Holder
S.8718	Bulb
S.9536	Contrate Gear
S.9746	Tyre
S.9900	Hub
00862	Axle
02545	Front Axle Spacer
05192	Rear Axle Bearing
05318	Pick-up Braid
06008	Guide Blade
<i>Items not illustrated</i>	
W.1287	Body Assembly
L.5433	Underpan
05967	Drivers Head

**C.288 PORSCHE TURBO 935 Silver**  
**C.289 PORSCHE TURBO 935 Gold**  
 Most parts also applicable to C.119

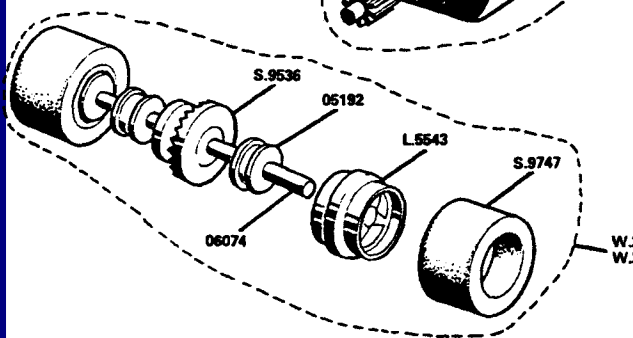
The Bulb Spacers (L.3132) may vary slightly in thickness. In some cases two on each side may be sufficient.



Before reassembling underpan assembly into body ensure bulbs are firmly screwed in position and making good contact with the Contact Strip (L.3133).

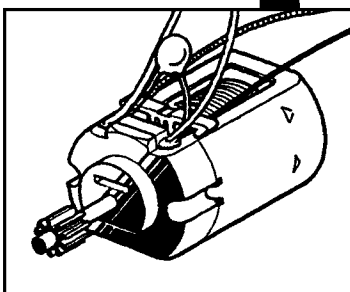


Replacement Hubs (L.5543) supplied will be black only.



To remove body from underpan insert small screwdriver blade at rear end between underpan and body to release number plate and lever body off.

When reassembling underpan assembly into body insert front end first then use screwdriver blade to ease rear of body over number plate.



View showing light bulb leads (X.1404) soldered in position on motor.

View shows car in "upright" position. When reassembling ensure contrate gear (S.9536) is on the correct side and that wires from motor to guide blade are not crossed.

Modifications are made to models from time to time. If a spare part is required which does not coincide with the illustration, a full description should be given and, if necessary, a sketch or sample should accompany the order.

List of Parts	
Ref. No.	Item
W.2040	Motor with pick-up leads . . . . .
W.2060	Axle Assembly—Rear (C/288) . . . . .
W.2061	Axle Assembly—Front (C/288) . . . . .
W.2072	Axle Assembly—Front (C/289) . . . . .
W.2073	Axle Assembly—Rear (C/289) . . . . .
X.1404	Wire Assembly—Headlight . . . . .
L.3113	Bulb Holder—without spade tag . . . . .
L.3132	Bulb Spacer . . . . .
L.3133	Bulb Contact Strip . . . . .
L.3137	Bulb Holder—with spade tag . . . . .
L.5543	Hub . . . . .
S.8718	Bulb . . . . .
S.9536	Contrate Gear . . . . .
S.9747	Tyre . . . . .
02545	Front Axle Spacer . . . . .
05192	Rear Axle Bearing . . . . .
05318	Pick-up Braid . . . . .
06008	Guide Blade . . . . .
06074	Axle . . . . .
<i>Items not illustrated</i>	
W.1288	Body Assembly (C.288) . . . . .
W.1289	Body Assembly (C.289) . . . . .
L.5432	Underpan . . . . .
05967	Drivers Head . . . . .