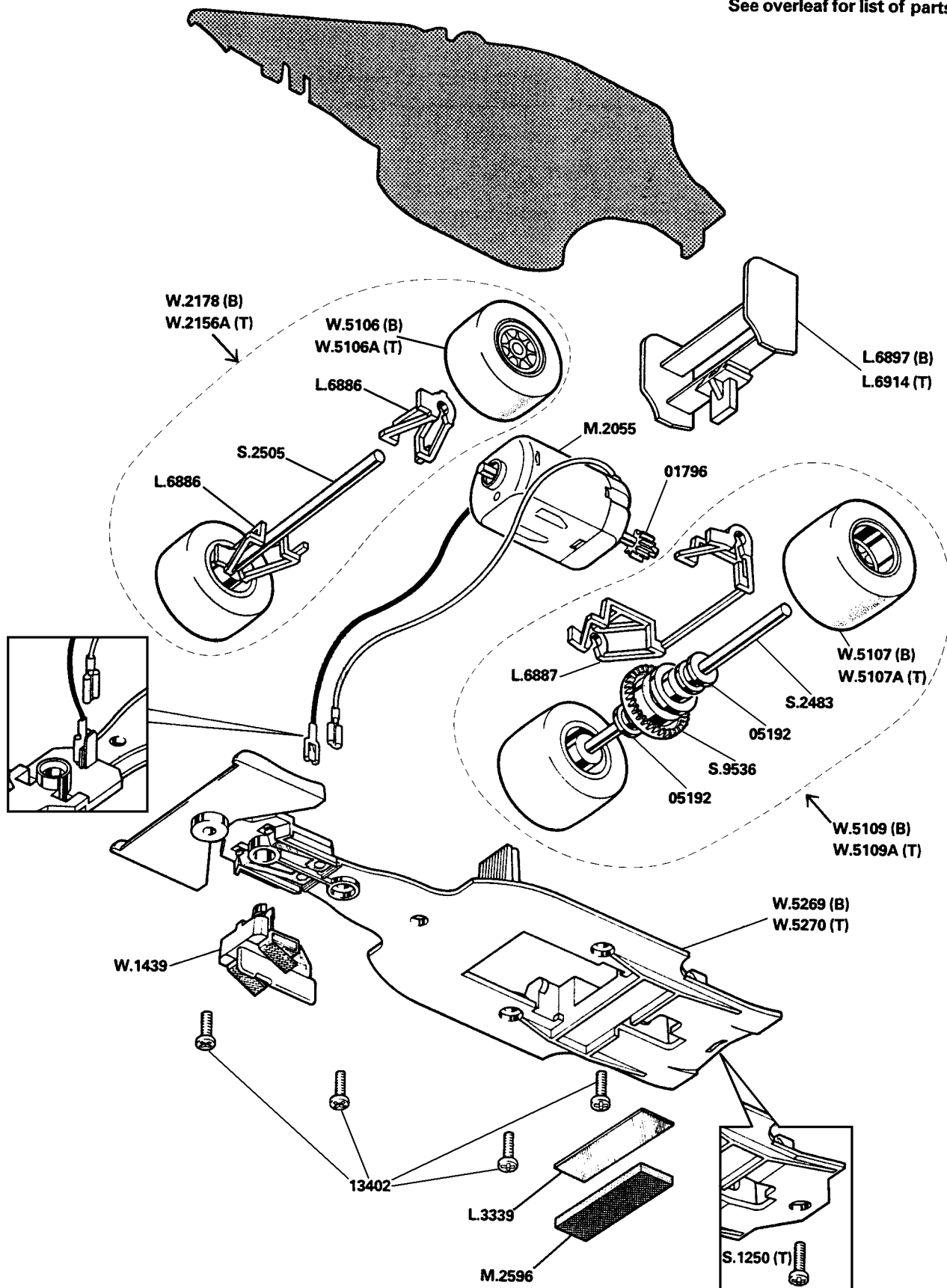




# FORD BENETTON (B) TYRRELL 018 (T)

Benetton and Tyrrell cars have the same electronic components but differ in some details

See overleaf for list of parts





## FORD BENETTON & TYRRELL 018

<b>List of Parts</b>			
<i>Ref. No.</i>	<i>Item</i>	<i>Used on</i>	
		<i>Benetton</i>	<i>Tyrrell</i>
<b>W.1439</b>	Guide Blade Assembly .....	✓	✓
<b>W.2156A</b>	Front Axle Assembly .....	-	✓
<b>W.2178</b>	Front Axle Assembly .....	✓	-
<b>W.5106</b>	Front Hub/Tyre Assembly.....	✓	-
<b>W.5106A</b>	Front Hub/Tyre Assembly (Pirelli) .....	-	✓
<b>W.5107</b>	Rear Hub/Tyre Assembly.....	✓	-
<b>W.5107A</b>	Rear Hub/Tyre Assembly (Pirelli) .....	-	✓
<b>W.5109</b>	Rear Axle Assembly .....	✓	-
<b>W.5109A</b>	Rear Axle Assembly .....	-	✓
<b>W.5269</b>	Underpan with Contacts.....	✓	-
<b>W.5270</b>	Underpan with Contacts.....	-	✓
<b>L.3339</b>	Keeper Plate.....	✓	✓
<b>L.6886</b>	Front Suspension .....	✓	✓
<b>L.6887</b>	Rear Suspension .....	✓	✓
<b>L.6897</b>	Aerofoil .....	✓	-
<b>L.6914</b>	Aerofoil .....	-	✓
<b>01796</b>	Motor Pinion .....	✓	✓
<b>M.2055</b>	Motor with Pinion and Harness.....	✓	✓
<b>M.2596</b>	Magnet.....	✓	✓
<b>S.1250</b>	Rear Screw.....	-	✓
<b>S.2483</b>	Rear Axle .....	✓	✓
<b>S.2505</b>	Front Axle .....	✓	✓
<b>S.9536</b>	Contrate Gear .....	✓	✓
<b>05192</b>	Axle Bearing .....	✓	✓
<b>13402</b>	Body Screw.....	✓	✓




# FORD BENETTON (B) TYRRELL 018 (T)

Benetton and Tyrrell cars have the same electronic components but differ in some details

As produced from 1992


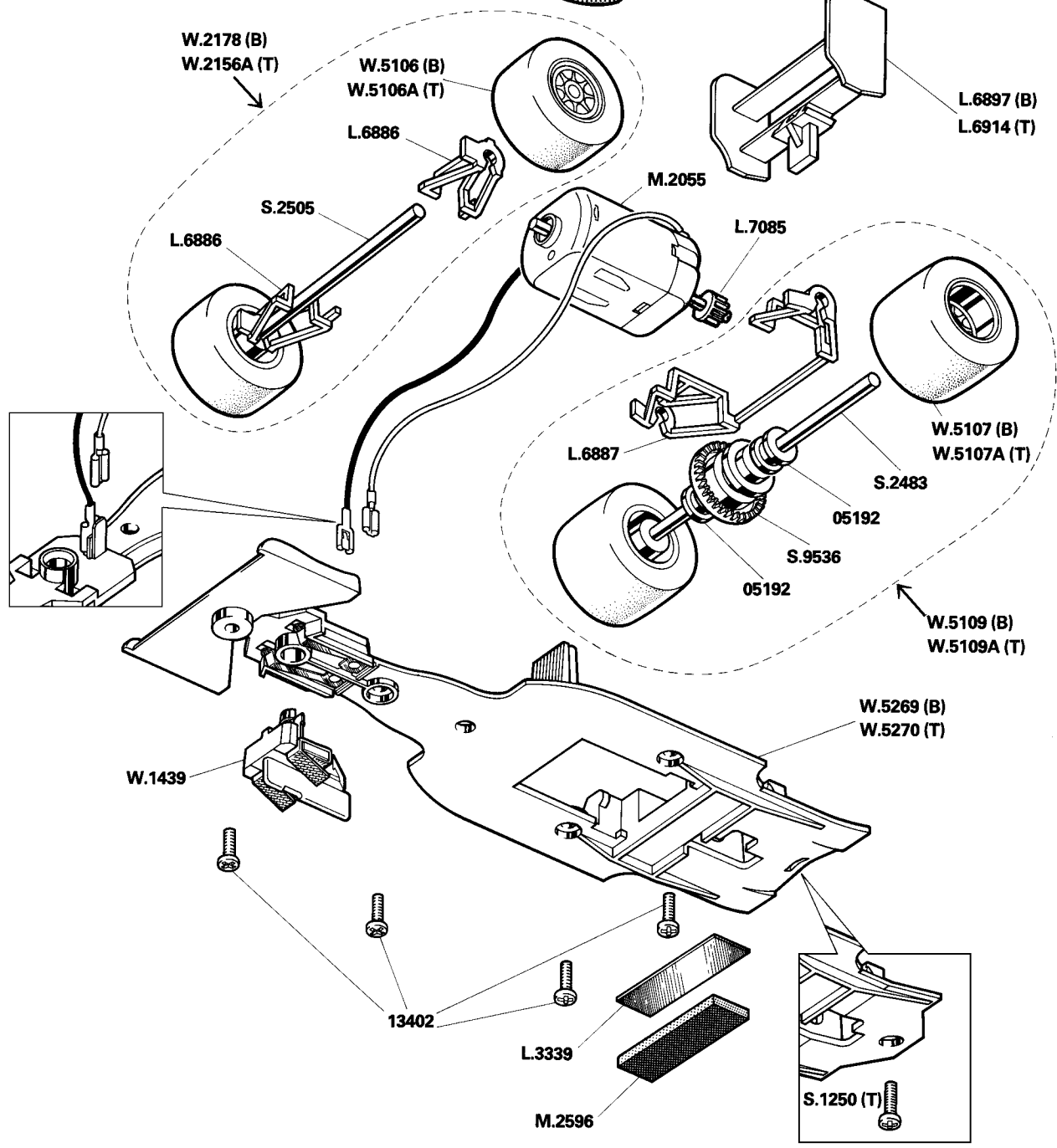
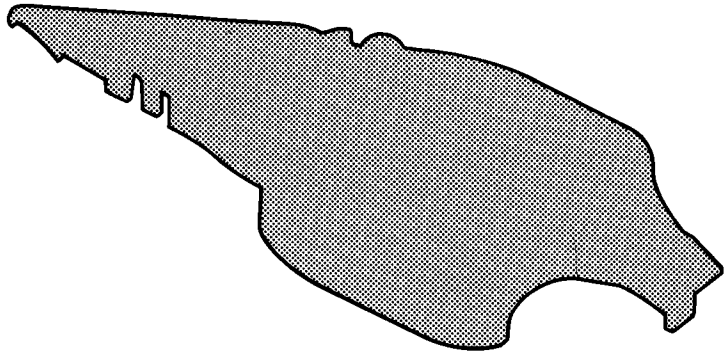
See overleaf for list of parts

**Motor Pinion**  
L.7085



fitted to all vehicles from February 1992

Replaces Motor Pinion 01796



## FORD BENETTON & TYRRELL 018

<b>List of Parts</b>			
Ref. No.	Item	Used on	
		Benetton	Tyrrell
W.1439	Guide Blade Assembly .....	✓	✓
W.2156A	Front Axle Assembly .....	-	✓
W.2178	Front Axle Assembly .....	✓	-
W.5106	Front Hub/Tyre Assembly.....	✓	-
W.5106A	Front Hub/Tyre Assembly (Pirelli) .....	-	✓
W.5107	Rear Hub/Tyre Assembly.....	✓	-
W.5107A	Rear Hub/Tyre Assembly (Pirelli) .....	-	✓
W.5109	Rear Axle Assembly .....	✓	-
W.5109A	Rear Axle Assembly .....	-	✓
W.5269	Underpan with Contacts.....	✓	-
W.5270	Underpan with Contacts.....	-	✓
L.3339	Keeper Plate.....	✓	✓
L.6886	Front Suspension .....	✓	✓
L.6887	Rear Suspension .....	✓	✓
L.6897	Aerofoil .....	✓	-
L.6914	Aerofoil .....	-	✓
L.7085	Motor Pinion .....	✓	✓
M.2055	Motor with Pinion and Harness.....	✓	✓
M.2596	Magnet.....	✓	✓
S.1250	Rear Screw.....	-	✓
S.2483	Rear Axle .....	✓	✓
S.2505	Front Axle .....	✓	✓
S.9536	Contrate Gear .....	✓	✓
05192	Axle Bearing .....	✓	✓
13402	Body Screw.....	✓	✓