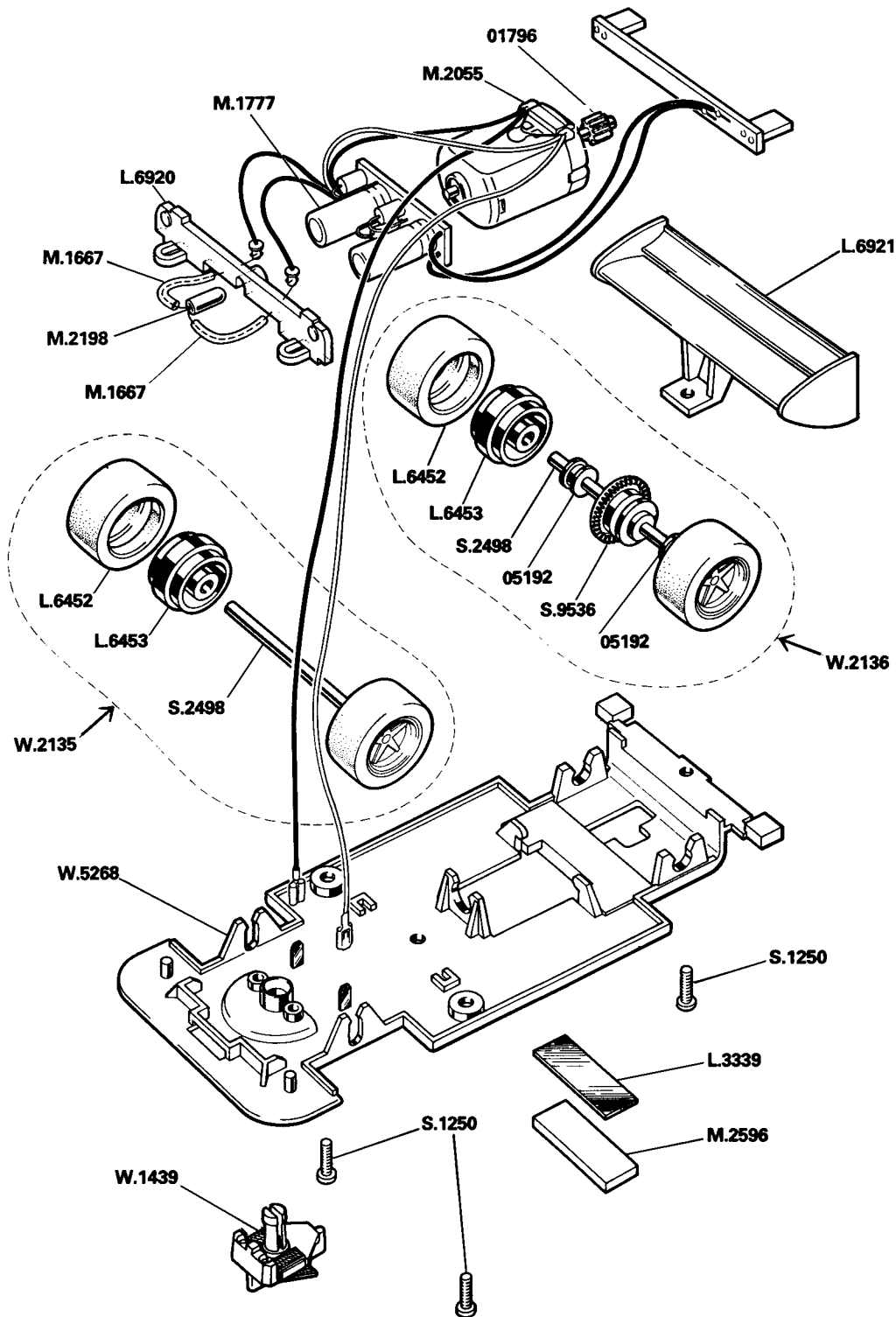


SAUBER MERCEDES with HEAD & BRAKELIGHTS

See overleaf for list of parts





SAUBER MERCEDES

List of Parts	
<i>Ref. No.</i>	<i>Item</i>
W.1439	Guide Blade Assembly
W.2135	Front Axle Assembly
W.2136	Rear Axle Assembly
W.5268	Underpan with Contacts.....
L.3339	Keeper Plate.....
L.6452	Tyre.....
L.6453	Hub
L.6920	Light Lens
L.6921	Aerofoil
01796	Motor Pinion.....
M.1667	Sleeving.....
M.1777	PCB with Brakelights
M.2198	Headlamp Bulb
M.2055	Motor with Pinion and Harness.....
M.2596	Magnet
S.1250	Screw
S.2498	Axle.....
S.9536	Contrate Gear
05192	Axle Bearing




SAUBER MERCEDES with

See overleaf for list of parts

HEAD & BRAKELIGHTS


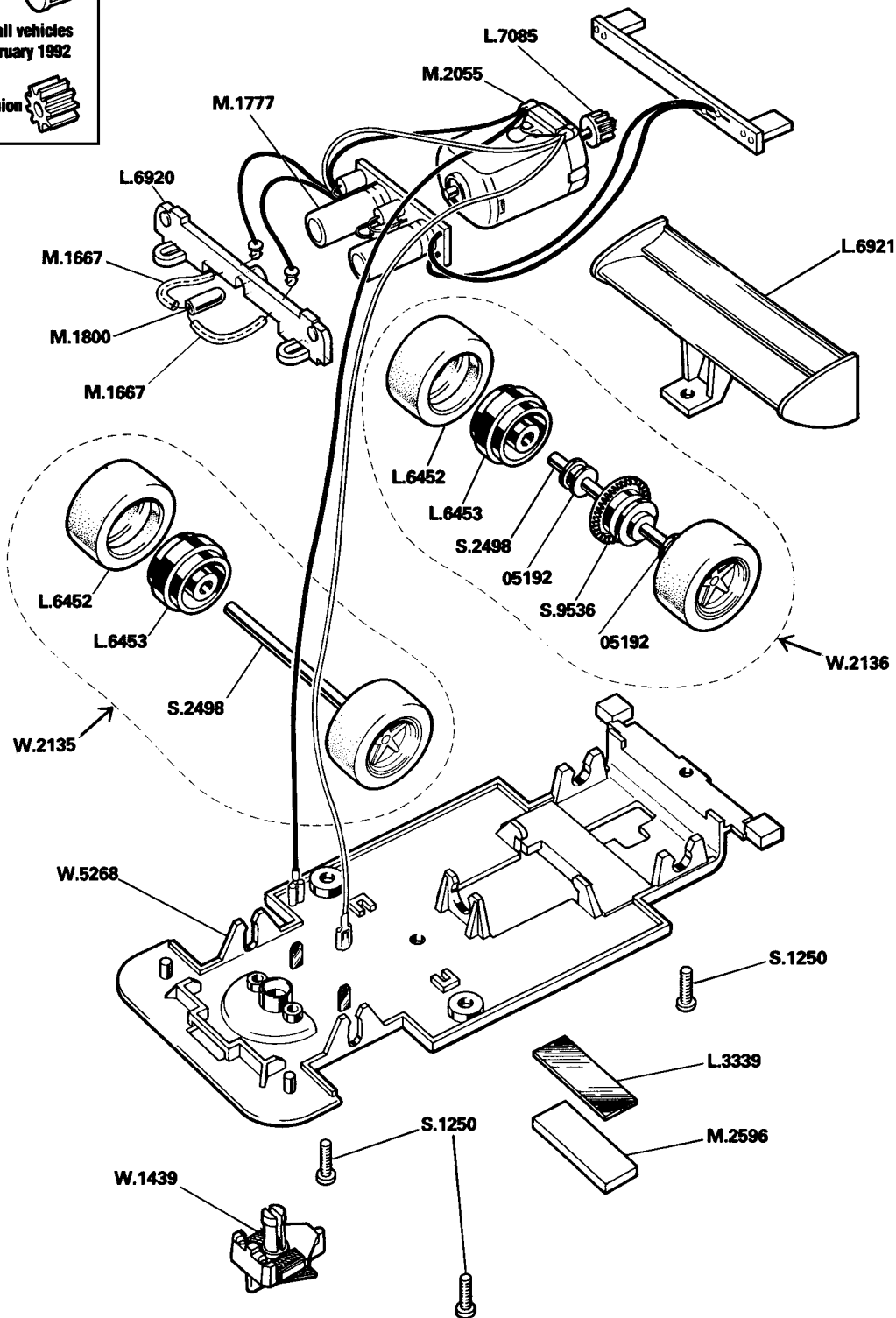
As produced from 1992

Motor Pinion
L.7085



fitted to all vehicles
from February 1992

Replaces
Motor Pinion
01796



SAUBER MERCEDES

List of Parts	
<i>Ref. No.</i>	<i>Item</i>
W.1439	Guide Blade Assembly
W.2135	Front Axle Assembly
W.2136	Rear Axle Assembly
W.5268	Underpan with Contacts.....
L.3339	Keeper Plate.....
L.6452	Tyre.....
L.6453	Hub
L.6920	Light Lens
L.6921	Aerofoil
L.7085	Motor Pinion.....
M.1667	Sleeving.....
M.1777	PCB with Brakelights
M.1800	Headlamp Bulb
M.2055	Motor with Pinion and Harness.....
M.2596	Magnet
S.1250	Screw
S.2498	Axle.....
S.9536	Contrate Gear
05192	Axle Bearing