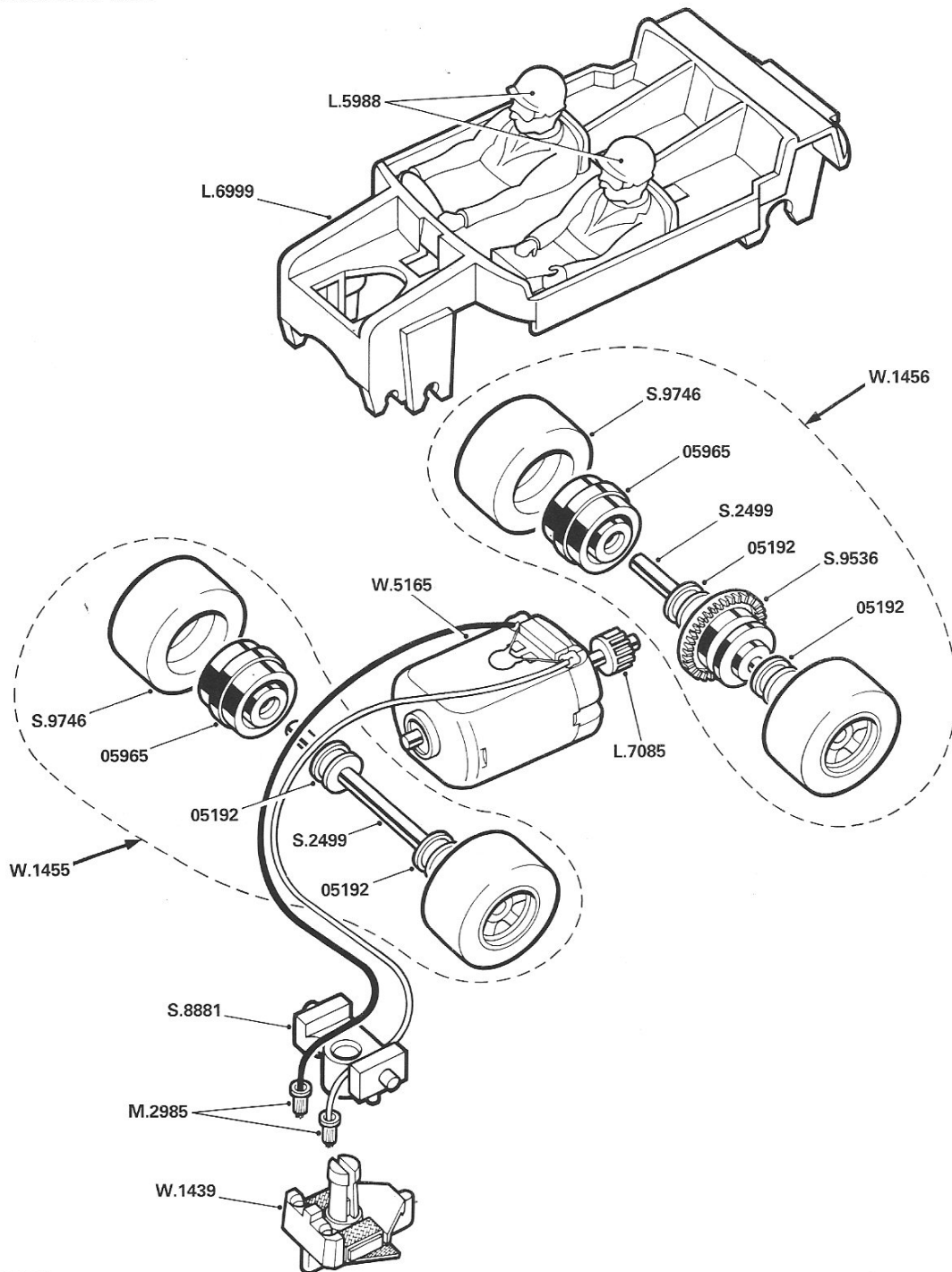


## MINI COOPER S 1275cc

As produced from 1992

See overleaf for Ferrari P4  
Ford 3L



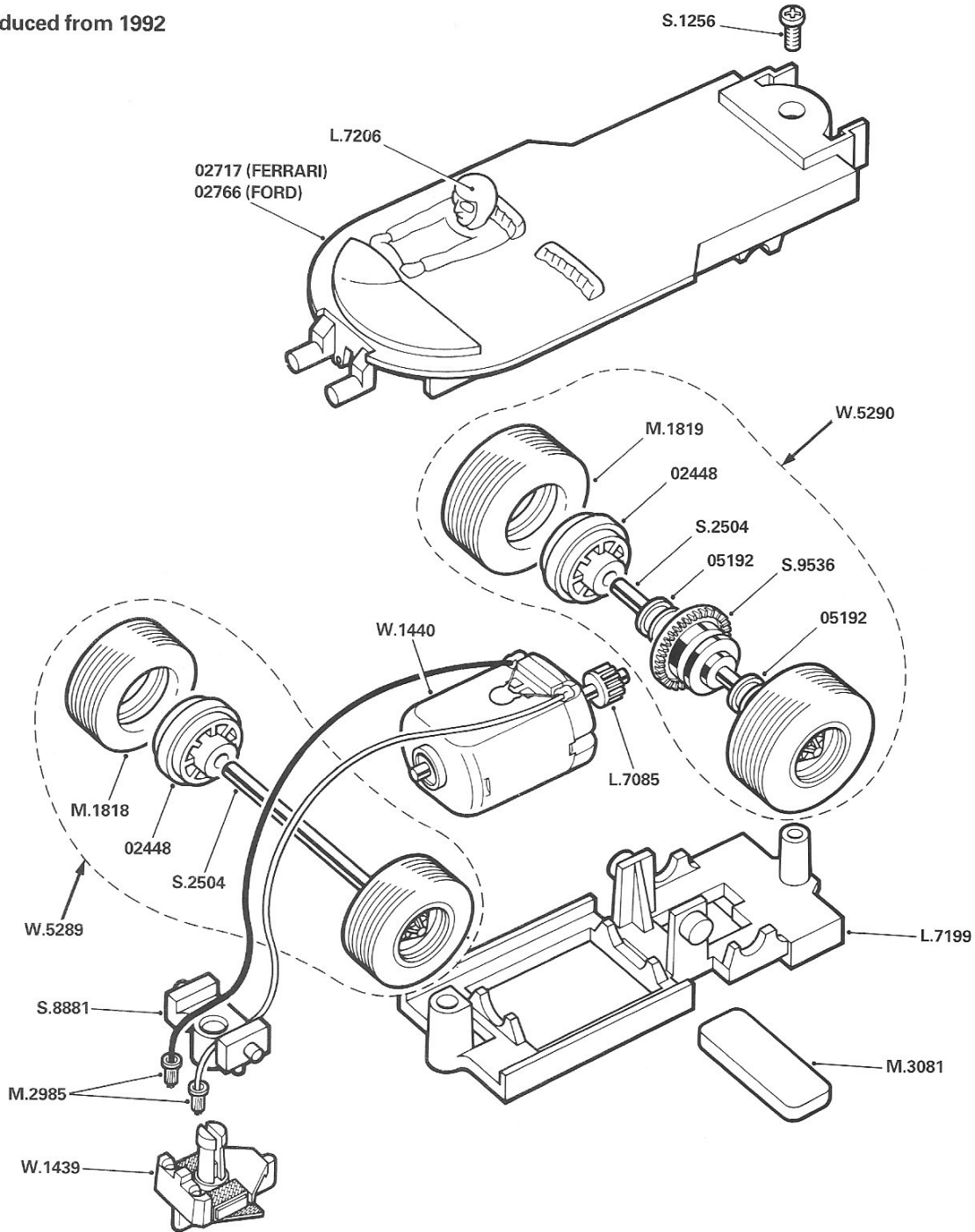
### List of Parts

Ref. No.	Item	Ref. No.	Item
W.1439	Guide Blade Assembly .....	M.2985	Eyelet .....
W.1455	Front Axle Assembly .....	S.2499	Axle .....
W.1456	Rear Axle Assembly .....	S.8881	Guide Blade Adaptor .....
W.5165	Motor with Pinion and Harness .	S.9536	Contra Gear .....
L.5988	Drivers Head .....	S.9746	Tyre .....
L.6999	Seat Unit .....	05192	Axle Bearing/Spacer .....
L.7085	Motor Pinion .....	05965	Hub .....

## FERRARI P4 FORD 3L

As produced from 1992

See overleaf for Mini Cooper S



### List of Parts

Ref. No.	Item	Ref. No.	Item	Ref. No.	Item
W.1439	Guide Blade Assembly .....	M.1818	Front Tyre .....	S.8881	Guide Blade Adaptor .....
W.1440	Motor with Pinion and Harness .	M.1819	Rear Tyre.....	S.9536	Contra Gear .....
W.5289	Front Axle Assembly .....	M.2985	Eyelet .....		
W.5290	Rear Axle Assembly .....	M.3081	Magnet .....		
L.7085	Pinion .....			02448	Hub .....
L.7199	Motor Housing .....	S.1256	Screw .....	02717	Seat Deck (Ferrari).....
L.7206	Drivers Head.....	S.2504	Axle .....	02766	Seat Deck (Ford).....
				05192	Rear Axle Bearing .....