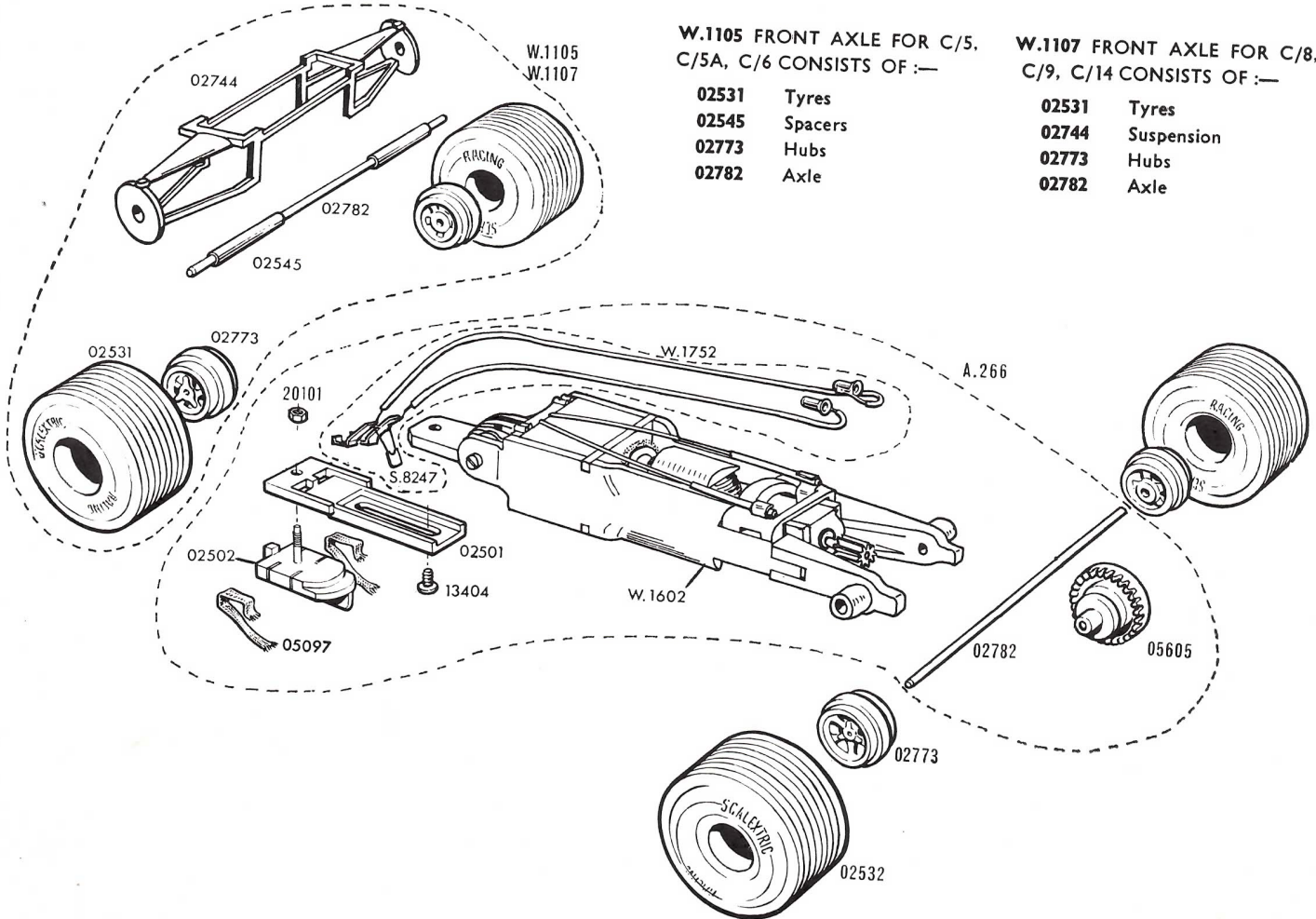




# POWER SLEDGE

A.266, C/5, C/5A, C/6, C/8, C/9, C/14



**W.1105 FRONT AXLE FOR C/5, C/5A, C/6 CONSISTS OF:—**

- 02531 Tyres
- 02545 Spacers
- 02773 Hubs
- 02782 Axle

**W.1107 FRONT AXLE FOR C/8, C/9, C/14 CONSISTS OF:—**

- 02531 Tyres
- 02744 Suspension
- 02773 Hubs
- 02782 Axle

- A.266 Complete Power Sledge
- W.1105 Front Axle Assembly
- W.1107 Front Axle Assembly
- W.1602 Motor
- W.1752 Wiring Harness
- S.8247 Capacitor

- 02501 Guide Blade Mount and Slide
- 02502 Guide Blade
- 02531 Tyre
- 02532 Tyre
- 02545 Spacer
- 02744 Suspension

- 02773 Hub
- 02782 Axle
- 05097 Pick-Up Braid
- 05605 Contrate Gear
- 13404 Screw
- 20101 Guide Blade Nut

For Motor Parts see Service Sheet No. S.2

Modifications are made from time to time to Rovex Triang models. If a spare part is required which does not coincide with the illustration, a full description should be given and, if necessary a sketch or sample should accompany the order. The parts which comprise an "X" or "W" assembly are not available as separate items unless the individual parts are numbered.

Printed in England



ROVEX TRI-ANG LIMITED — MARGATE  
WESTWOOD, MARGATE, KENT, ENGLAND

**SERVICE SHEET No. S.4**  
Issued April, 1971