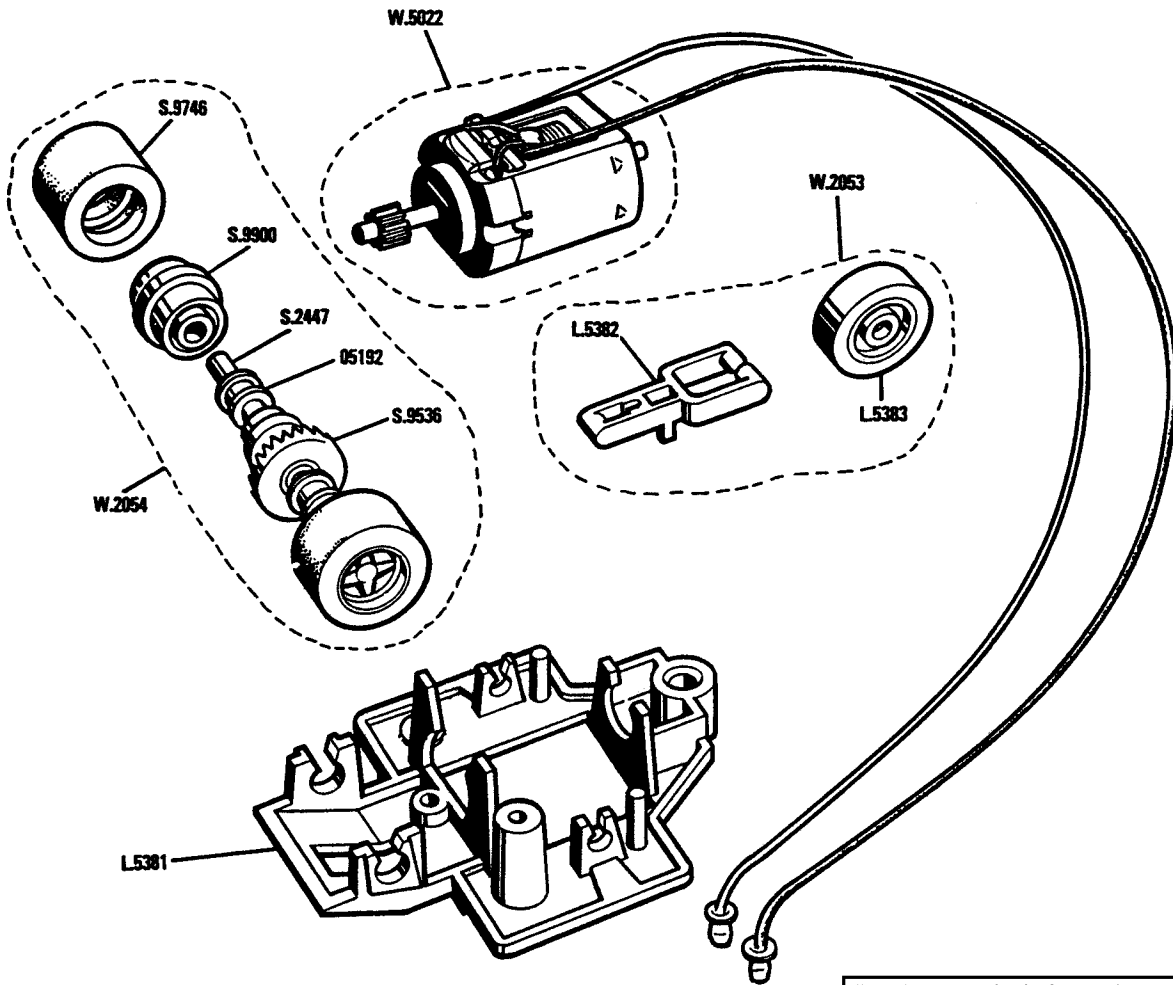
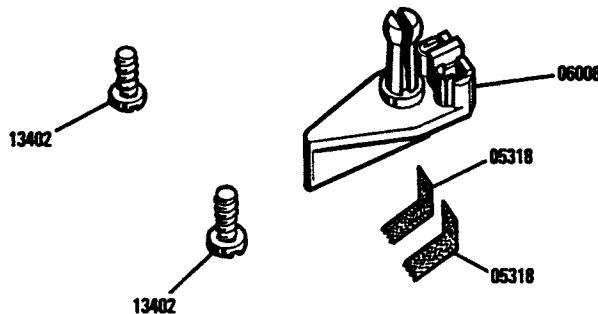


C.281 MOTORCYCLE SIDECAR—RED
C.282 MOTORCYCLE SIDECAR—GREEN

Replacement Hubs (S.9900) supplied will be in black only.



To release top half of body from underpan remove screws on underside.



View shows motorcycle in upright position. When reassembling ensure that wires from motor to guide blade are not crossed.

Modifications are made to models from time to time. If a spare part is required which does not coincide with the illustration, a full description should be given and, if necessary, a sketch or sample should accompany the order.

C.281 MOTORCYCLE SIDECAR—RED C.282 MOTORCYCLE SIDECAR—GREEN

List of Parts	
Ref. No.	Item
W.2053	Front Wheel Assembly
W.2054	Axle Assembly—Rear
W.5022	Motor with pick-up leads
L.5381	Underpan
L.5382	Front Forks
L.5383	Front Wheel
S.2447	Axle
S.9536	Contrate Gear
S.9746	Tyre
S.9900	Hub
05192	Rear Axle Bearing
05318	Pick-up Braid
06008	Guide Blade
13402	Body Screw
<i>Items not illustrated</i>	
W.1281	Body Assembly Complete—Red
W.1282	Body Assembly Complete—Green
W.5384	Helmet—Passenger *(Red or Green)
W.5385	Helmet—Driver *(Red or Green)
*When ordering state colour required.	

Notes


ROVEX Service Centre
ALBERT STREET, RAMSGATE,
KENT, CT11 9HD, ENGLAND.

MOTORCYCLE SIDECAR

As produced from 1992

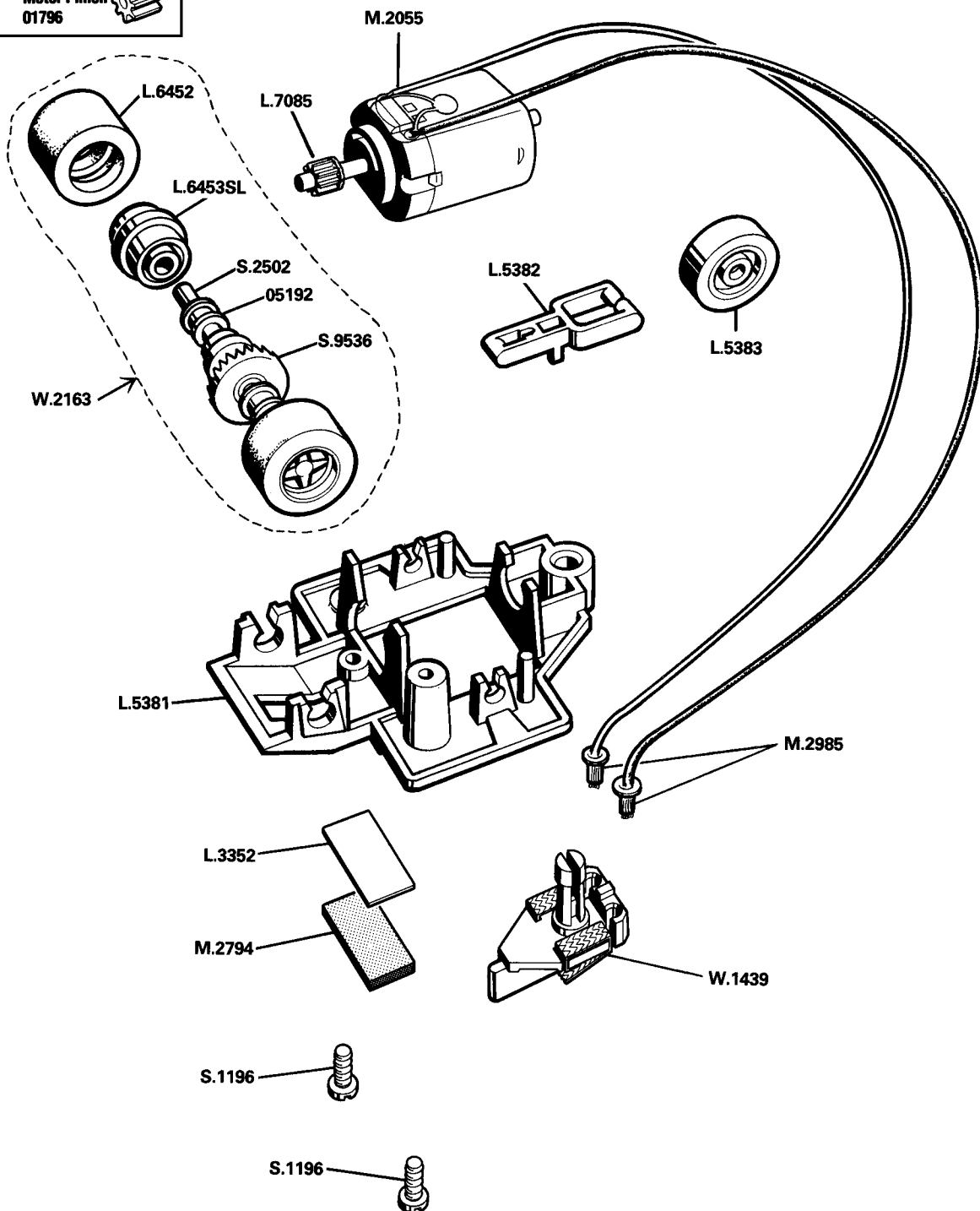

See overleaf for list of parts

Motor Pinion
L.7085



fitted to all vehicles
from February 1992

Replaces
Motor Pinion
01796





MOTORCYCLE SIDECAR

List of Parts	
<i>Ref. No.</i>	<i>Item</i>
W.1439	Guide Blade Assembly
W.2163	Rear Axle Assembly
L.3352	Keeper Plate.....
L.5381	Underpan.....
L.5382	Front Forks.....
L.5383	Front Wheel
L.6452	Tyre.....
L.6453SL	Hub
L.7085	Motor Pinion.....
M.2055	Motor with Pinion and Harness.....
M.2794	Magnet
M.2985	Eyelet
S.1196	Screw
S.2502	Axle.....
S.9536	Contrate Gear
O5192	Axle Bearing