

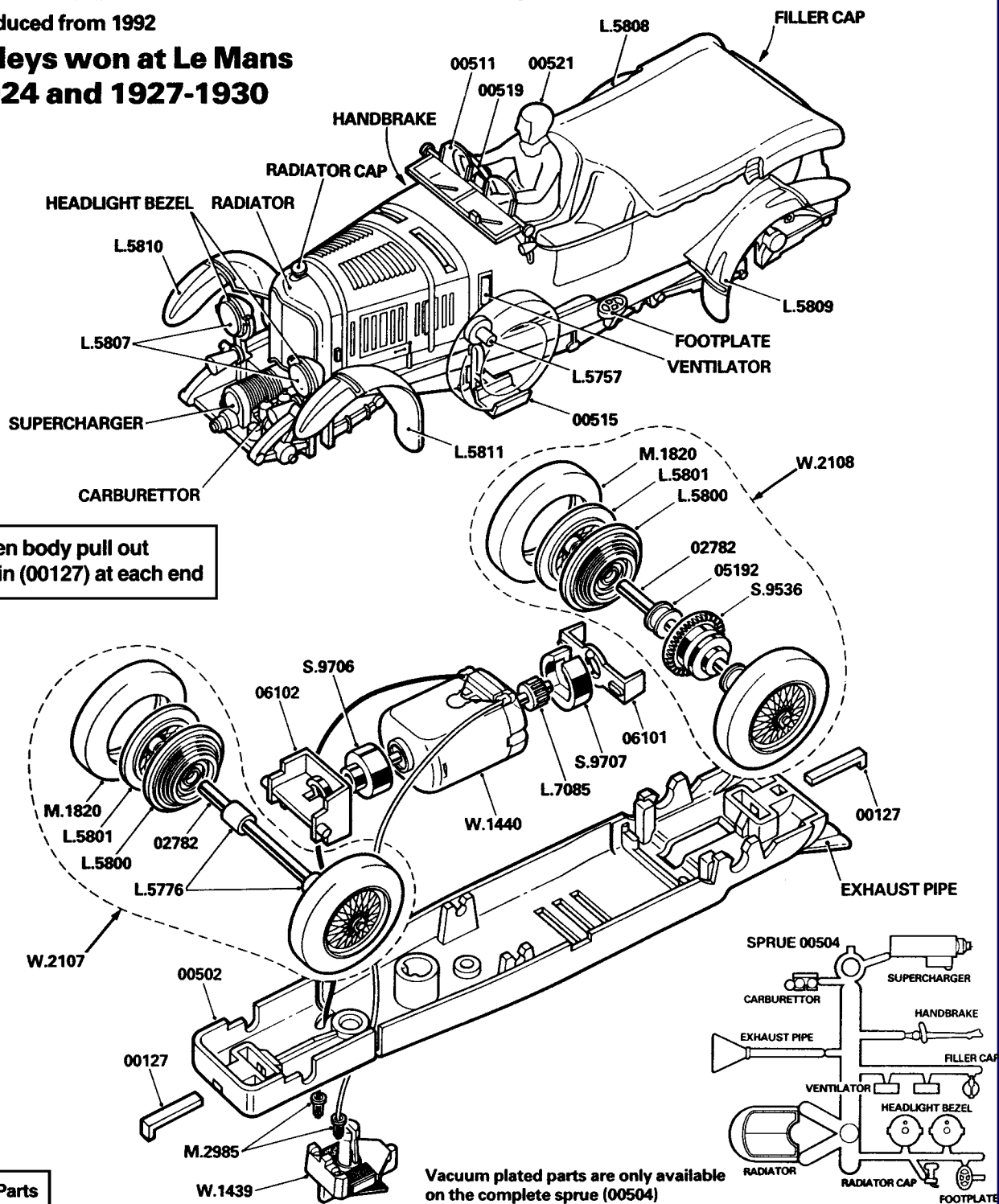


# BENTLEY 4½ Litre model of 1929.

See overleaf for Alfa Romeo

As produced from 1992

**Bentleys won at Le Mans  
in 1924 and 1927-1930**



To open body pull out Bolt Pin (00127) at each end

Vacuum plated parts are only available on the complete sprue (00504)

**List of Parts**

Ref. No.	Item	Ref. No.	Item	Ref. No.	Item
W.1305	Body Assembly .....	L.5808	Rear Mudguard R/H .....	00127	Bolt Pin .....
W.1439	Guide Blade Assembly .....	L.5809	Rear Mudguard L/H .....	00502	Underpan .....
W.1440	Motor with Pinion and Harness .	L.5810	Front Mudguard R/H .....	00504	Vacuum Plated Sprue .....
W.2107	Front Axle Assembly .....	L.5811	Front Mudguard L/H .....	00511	Windscreen .....
W.2108	Rear Axle Assembly .....	L.7085	Pinion .....	00515	Spare Wheel Support .....
		M.1820	Tyre .....	00519	Steering Wheel .....
L.5757	Spare Wheel Fixing Pin .....	M.2985	Eyelet .....	00521	Driver .....
L.5776	Front Axle Spacer .....			02782	Axle .....
L.5800	Hub — Inner .....	S.9536	Contrate Gear .....	05192	Rear Axle Bearing .....
L.5801	Hub — Outer .....	S.9706	Front Motor Bracket .....	06101	Rear Motor Bracket .....
L.5807	Headlight Glass .....	S.9707	Rear Motor Bracket .....	06102	Front Motor Bracket .....



Westwood, Margate,  
Kent, CT9 4JX, England.

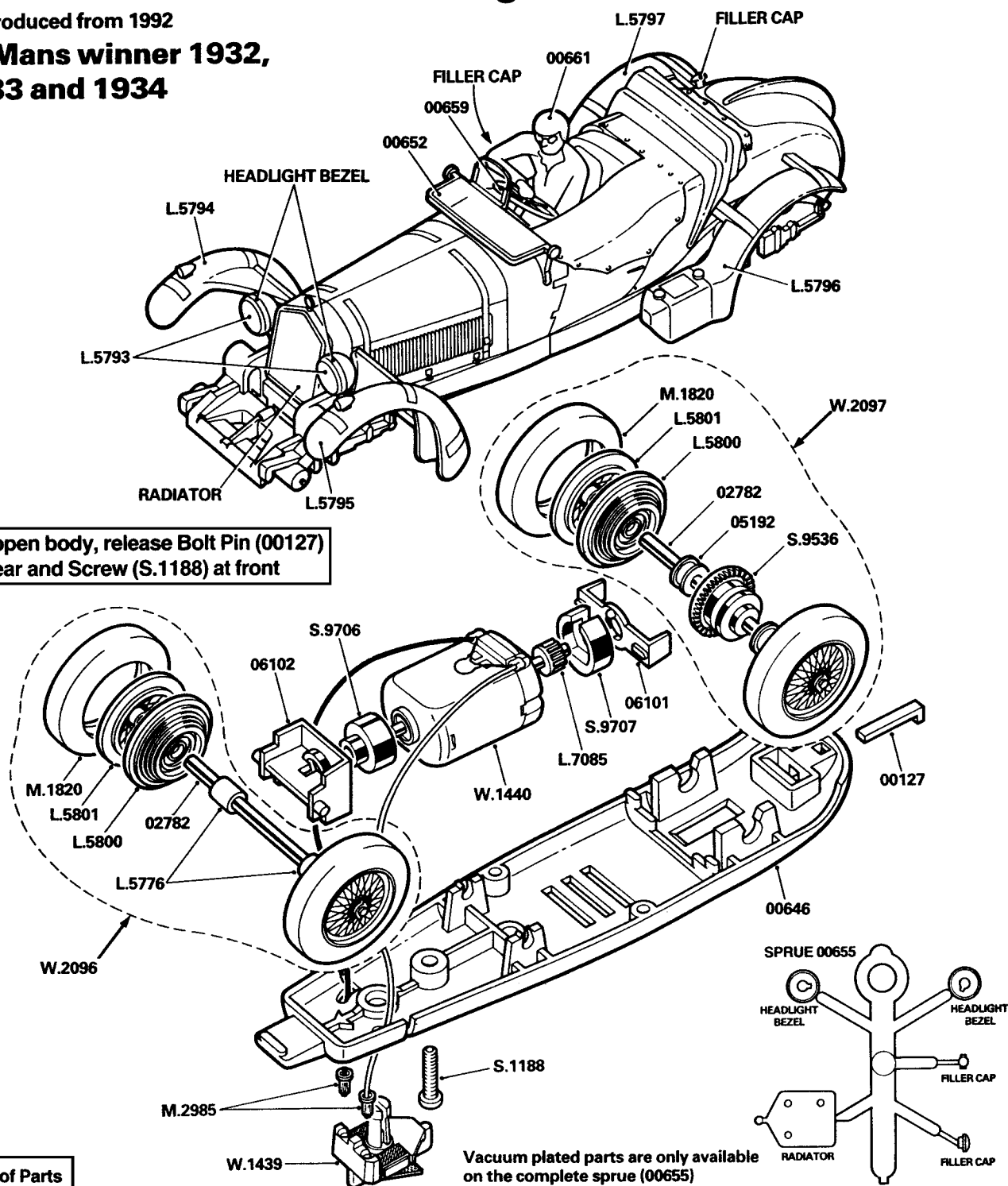
**SERVICE SHEET No. 128A**  
Issued August 1992

## ALFA ROMEO 2.3 Litre Straight 8

See overleaf for Bentley

As produced from 1992

**Le Mans winner 1932,  
1933 and 1934**



### List of Parts

Ref. No.	Item	Ref. No.	Item	Ref. No.	Item
W.1306	Body Assembly .....	L.5796	Rear Mudguard L/H .....	S.9707	Rear Motor Bracket .....
W.1439	Guide Blade Assembly .....	L.5797	Rear Mudguard R/H .....	00127	Bolt Pin .....
W.1440	Motor with Pinion and Harness ..	L.5800	Hub - Inner .....	00646	Underpan .....
W.2096	Front Axle Assembly .....	L.5801	Hub - Outer .....	00652	Windscreen .....
W.2097	Rear Axle Assembly .....	L.7085	Pinion .....	00655	Vacuum Plated Sprue .....
		M.1820	Tyre .....	00659	Steering Wheel .....
L.5776	Front Axle Spacer .....	M.2985	Eyelet .....	00661	Driver .....
L.5793	Headlight Glass .....	S.1188	Screw - Underpan Fixing .....	02782	Axle .....
L.5794	Front Mudguard R/H .....	S.9536	Contrate Gear .....	05192	Rear Axle Bearing .....
L.5795	Front Mudguard L/H .....	S.9706	Front Motor Bracket .....	06101	Rear Motor Bracket .....
				06102	Front Motor Bracket .....